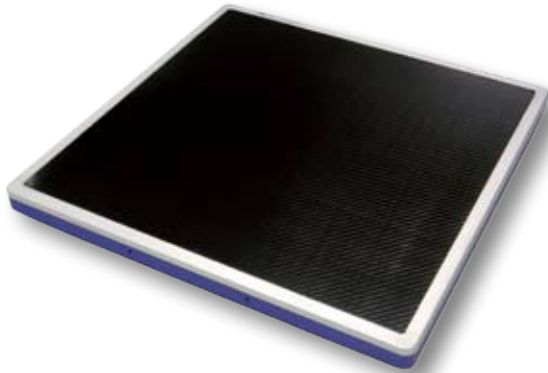


DR 4300 Mobile Table Digital Navigator System



**Complete
Digital
Imaging
System**

CUSTOM SOLUTIONS TO MEET THE NEEDS OF ANY PRACTICE

Our new DR 4300 VV Digital Navigator provides accuracy, flexibility, ease of operation, help you tame even the most demanding shots. Our custom engineered Versa View DR table system, along with our high quality x-ray generators and 17x17" DR smart flat panel detectors can produce lightning fast, high-resolution, DICOM images at nearly half the cost of other digital systems.



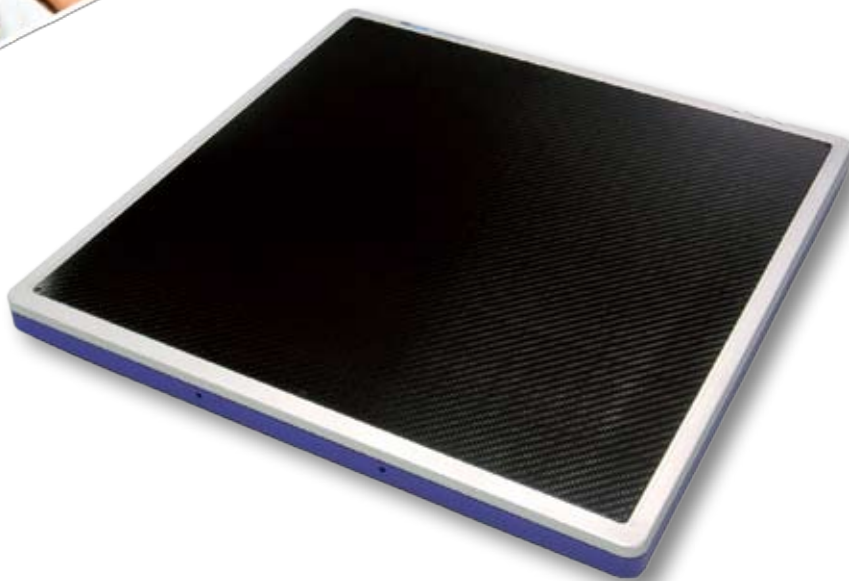
DR 4300 Mobile Table Digital Navigator System

Simplifies And Streamlines The Entire Imaging Process

X-Rays are an Integral and repetitive part of your day. They require a substantial investment in your time and money, in supplies and maintenance. Finally technology has delivered the ideal solution and it's mobile.

DR Navigator 17x17" Smart Panel 4300 Advanced Featured Digital Imaging System

The DR Navigator Smart Panel 3500 is a Complete Digital Radiographic Imaging system. Produces quality radiographic images of Small and Large patients. One of the smallest sized - highest detail - self-contained digital imaging systems. DR Navigator 4300 differs from traditional X-ray systems in that, instead of exposing a film and chemically processing it to create a hard copy image, a device called a Detector is used to capture the image in electronic form. The DR Navigator 4300 system is a Flat-panel Digital X-ray detector with a revolutionary technology that captures radiographic images in digital format within seconds, eliminating the need for an X-ray film, phosphorescent plates or cassettes



*With twenty-eight years of veterinary radiology experience
Diagnostic Imaging Systems is known for taking care of your
veterinary imaging needs!*

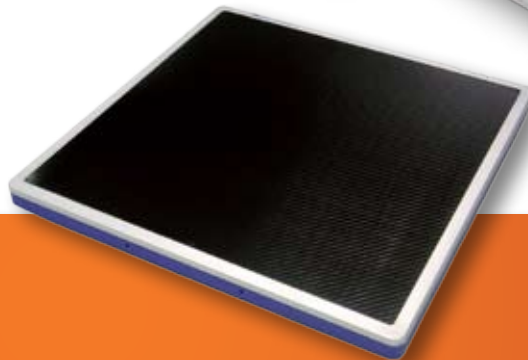
DR 4300 Mobile Table Digital Navigator System

DR Mobile Exam Table with Self-Contained, Integrated HF X-ray Unit

*Fast and Affordable Imaging Systems,
Just right for you!*

Features 40-100kV, in 1kV increments and with its ripple-free HFG system, you can shoot up to 100kV, .3 - 100mA with full logic control operation. It also provides high resolution imaging at lower dosages.

The first integrated mobile veterinary x-ray examination table, with a 17x17" DR Flat Panel, to provide x-ray capabilities in examination room and then can be wheeled directly into surgery suites or any room in your facility. It offers simple and accurate positioning with less movement of patient ensuring consistent, repeatable, and high quality images. Table features six-way positioning of X-ray tube. (left, right, up, down, forward, back, rotate and angulate.)



DR 4300 Mobile Table Digital Navigator System

DIS Offers you the latest technology; the first Mobile Veterinary Digital X-Ray System, designed specifically for veterinary medicine. Utilizing the ULTRA High-Frequency Self-Contained X-Ray unit with APR and the Mobile Versa-View X-Ray Exam Table which allows the maximum flexibility for both your budget and your practice.

High Frequency X-Ray Unit:

110v 40mA, 100kVp w/ APR Console
110v 40mA, 120kVp w/ APR Console
APR Console Integrated Software

Table Structure:

Assembled with Removable DR Flat Panel
Table is standard with fixed top 36", 48", 56" x 28"
available dimentions.
Semi-Transparent Tabletop

X-Ray Tube Support:

Tube angulations and rotation
Integrated Tube Stand /w Table
Tube Stand has horizontal travel the length of the table,
SID fixed

X-Ray Tubes:

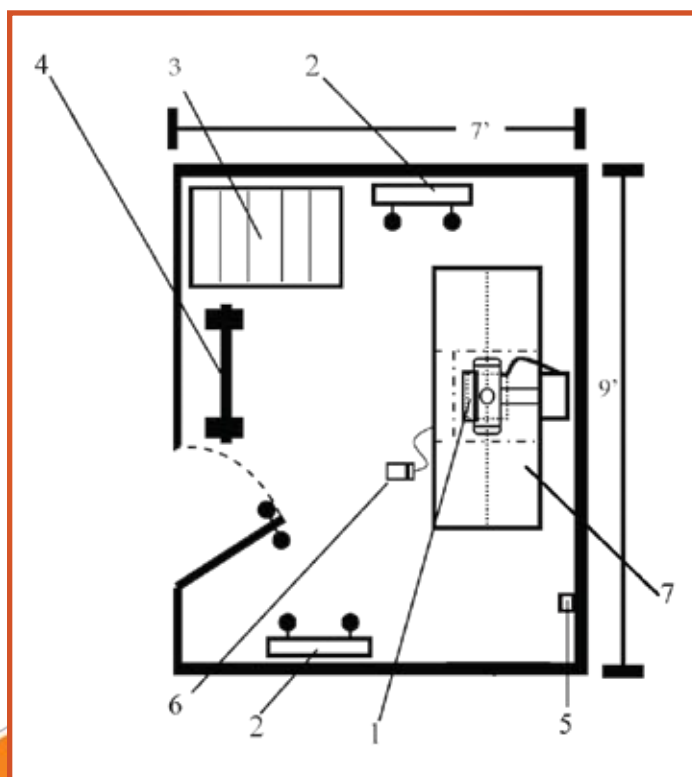
Toshiba 50,000 HU Model: D125

Collimator:

Rectangular light beam collimator for most accurate
positioning.
Patented Dual Laser guides for perfect accuracy.

X-Ray Room Component Layout:

1. Self-Contained X-Ray Unit, Collimator, DR Table
2. Apron/Glove Rack
3. Digital Work Center
4. Mobile Lead Shield w/ View Window
5. Power Supply (120vAc, 20 Amp Outlet)
6. Foot Switch
7. Computer Device, Monitor, Keyboard



DIAGNOSTIC
IMAGING SYSTEMS

2325 E. Saint Charles St.
Rapid City, SD 57703
1-800-346-9729
www.VetXray.com
Joe@VetXray.com